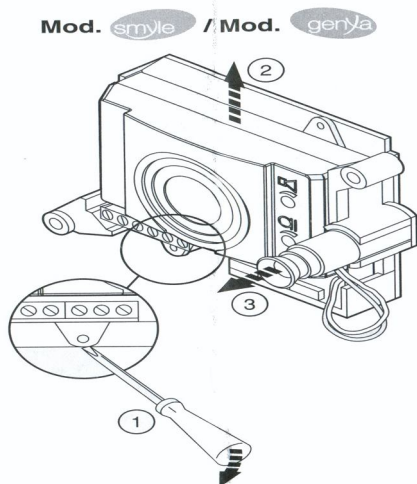


# URMET 1128/500



## Terminals

+	+12VDC
-	- 12VDC
1	Not Used
1A	Speech Line
2	Speech Line

### IMPORTANT NOTE :

1) Before replacing the speech unit make note of the wires to each terminal on the existing unit (an easy way is to cut each core off leaving a piece of the insulation in place with colour visible) twist unused cores together (so you know they are not used, do not short them out).

2) Some older systems will have cable with one coloured core and a solid white core in this case mark each core with a marker or tape.

# Wiring Diagram

**WIRING DIAGRAM FOR DOOR UNIT Ref. 1128/500**  
**SCHÉMA D'INSTALLATION POSTE EXTERNE Réf. 1128/500**  
**ESQUEMAS DE CONEXION MICROALTAVOZ Ref. 1128/500**  
**ANSCHLUßPLAN SPRECHHEINHEIT FÜR AUSSEN BN 1128/500**

SC101-1290

