

# ENTRYPHONE 92 ETX AMP



and BEST

## Terminals

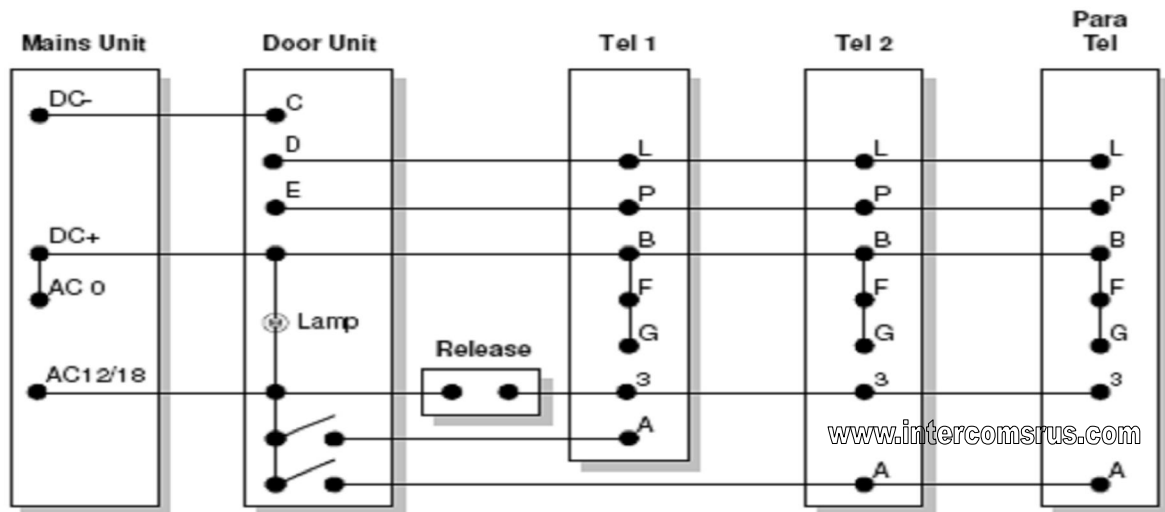
- C** Common
- D** Speech Line
- E** Speech Line

### **IMPORTANT NOTE :**

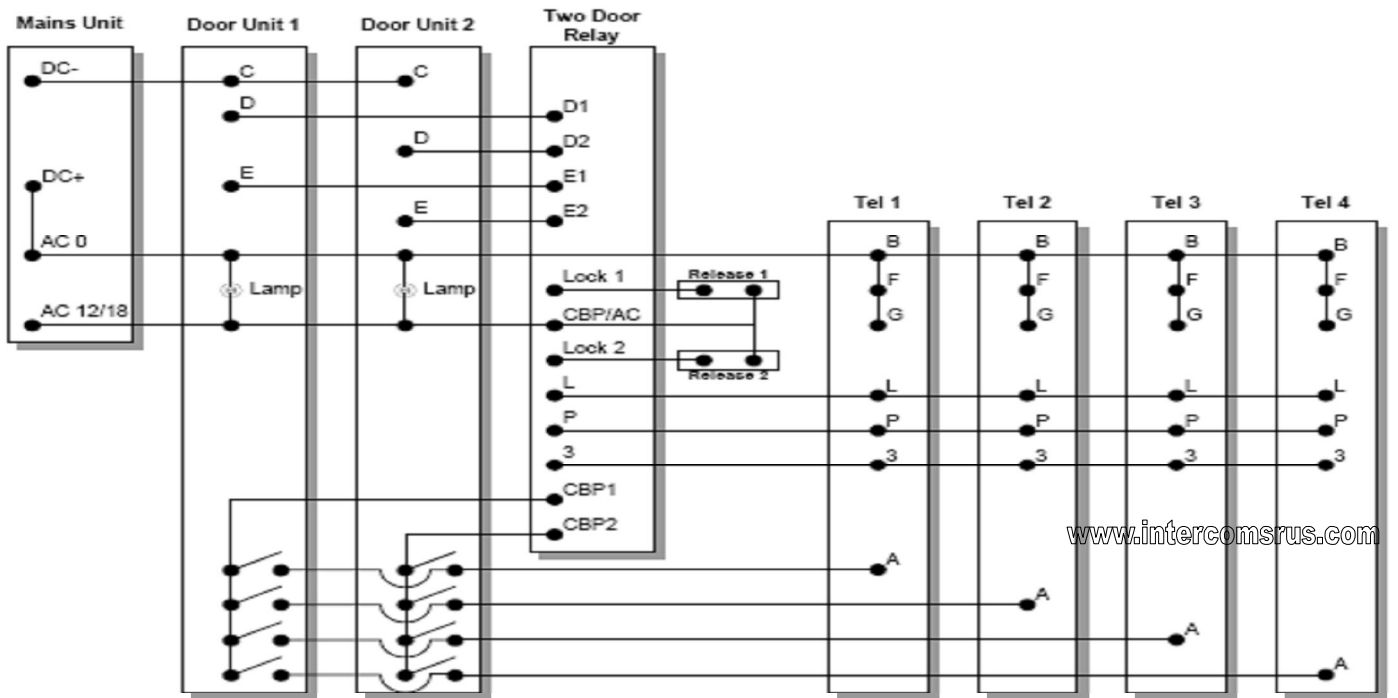
1) Before replacing the speech unit make note of the wires to each terminal on the existing unit (an easy way is to cut each core off leaving a piece of the insulation in place with colour visible) twist unused cores together (so you know they are not used, do not short them out).

2) Some older systems will have cable with one coloured core and a solid white core in this case mark each core with a marker or tape.

# Basic 1 Way Audio



# 2 Entrance System with 99RU Relay



**Microphones** – on earlier models of the 5901 (pre 1989) a carbon granule microphone was used. These became distorted after prolonged use and were replaced with electret microphones around 1989. If you are replacing a 5901 handset you may find that the speech to the door does not work. The most likely cause of this is that another handset (containing a carbon granule microphone) is "off the hook" and is preventing the electret microphone from operating. You will therefore need to find this (or indeed other handsets) and fix the problem. One way of detecting handsets that are 'off the hook' is to call each handset from the door – you will get the sound of the buzzer coming out of the door speaker when the offending handset(s) is called.

**NOTE :** We recommend that you change handsets with Entryphone of London products, if changing over for another manufacturers handset you will find that outward speech level is reduced considerably.