

# Bell System Telephones (BSTL)

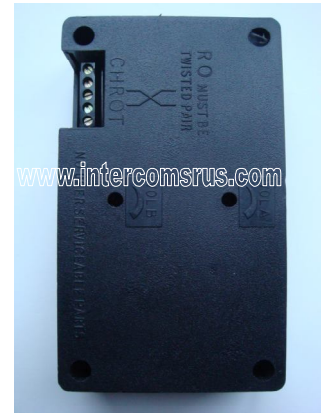
## Bell 51 & 61 Amplifiers



Original Amplifier



Bell 51



Bell 61



### Terminals

- C 12vac (or + DC)
- H 12vac (or -DC)
- R Speech Line
- O Common
- T Speech Line

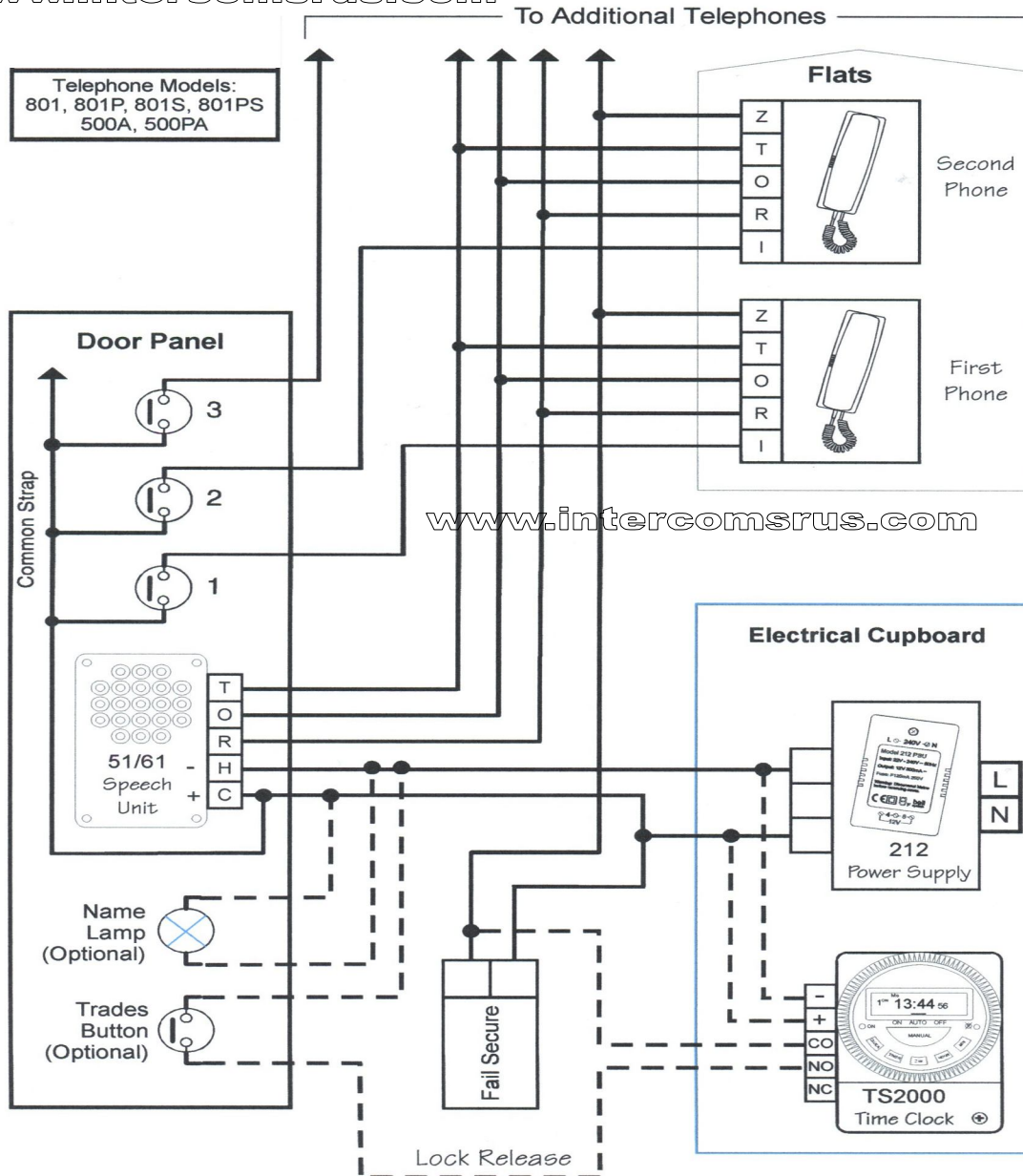
### IMPORTANT NOTE :

- 1) Before replacing the speech unit make note of the wires to each terminal on the existing unit (an easy way is to cut each core off leaving a piece of the insulation in place with colour visible) twist unused cores together (so you know they are not used, do not short them out).
- 2) Some older systems will have cable with one coloured core and a solid white core in this case mark each core with a marker or tape.

# Wiring Diagram

## Bell 801 Handsets 1 way 5 wire Audio

Wiring Diagram for AC Door Entry Systems upto 10 Telephones  
[www.intercomsrus.com](http://www.intercomsrus.com)



[www.intercomsrus.com](http://www.intercomsrus.com)