

BPT HA/200 Speech Amplifier



Terminals

- 5 - 12vdc
- 21 + 12vdc
- 8 Common Call (for confirmation tone)
- 11 Audio to receiver (Speech In)
- 12 Audio from receiver (Speech Out)
- 14 Activation to ON

Supply Voltage : 12VDC

Current Consumption : Max 50mA (35mA quiescent)

Working Temp : -15c to + 50c

IMPORTANT NOTE :

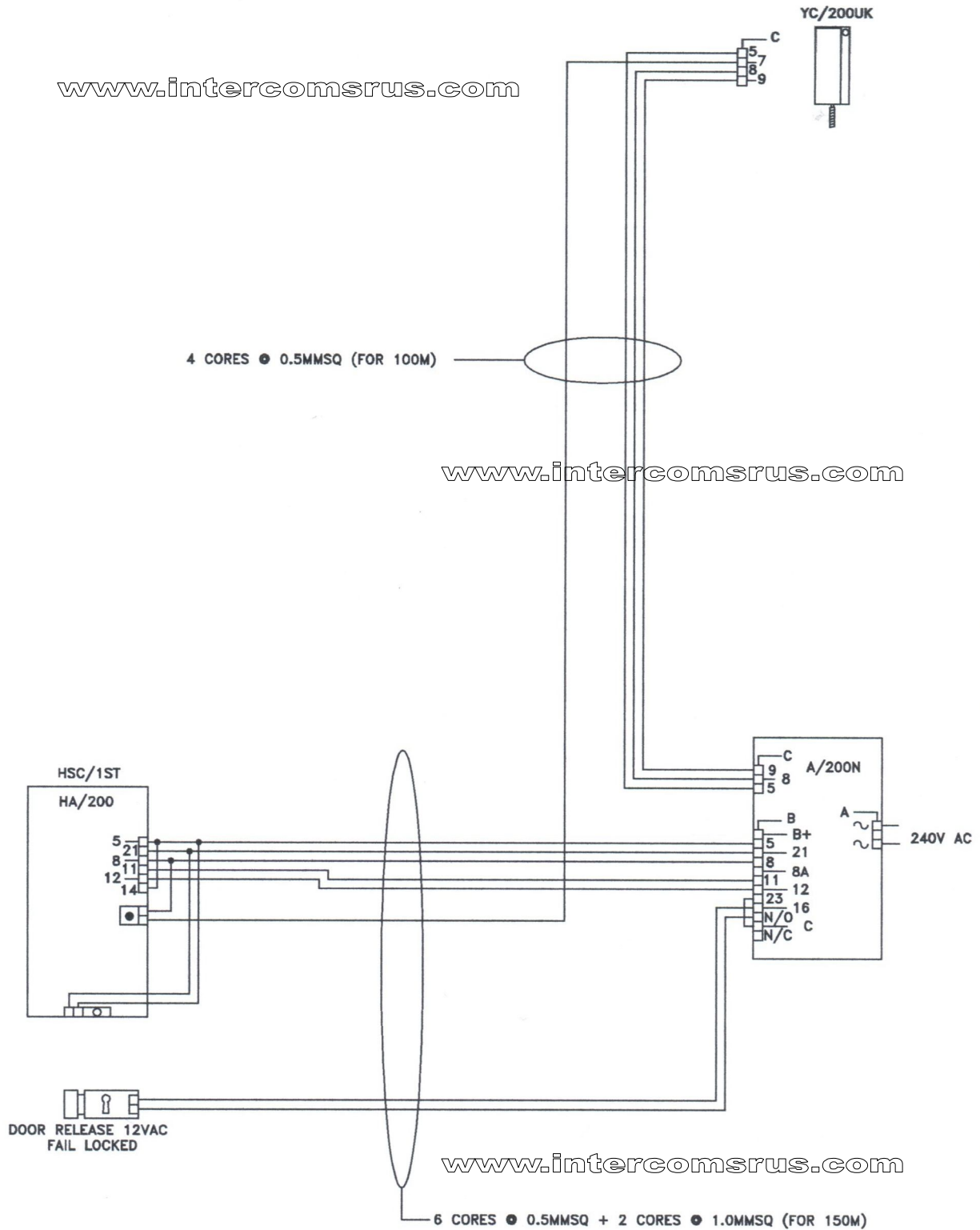
1) Before replacing the speech unit make note of the wires to each terminal on the existing unit (an easy way is to cut each core off leaving a piece of the insulation in place with colour visible) twist unused cores together (so you know they are not used, do not short them out).

2) Some older systems will have cable with one coloured core and a solid white core in this case mark each core with a marker or tape.

Wiring Diagram

BPT Audio 1 Way

NOTE:
THIS DRAWING INDICATES AND ASSUMES THE USE OF
A MINIMUM OF 0.5MM CSA PER CORE.



BPT Audio 2 Entrance

CALL LINES TO FURTHER YC/200'S.

COMMON LINES TO FURTHER YC/200'S.

NOTE: THIS DRAWING INDICATES AND ASSUMES THE USE OF A MINIMUM OF 0.5MM CSA PER CORE.

