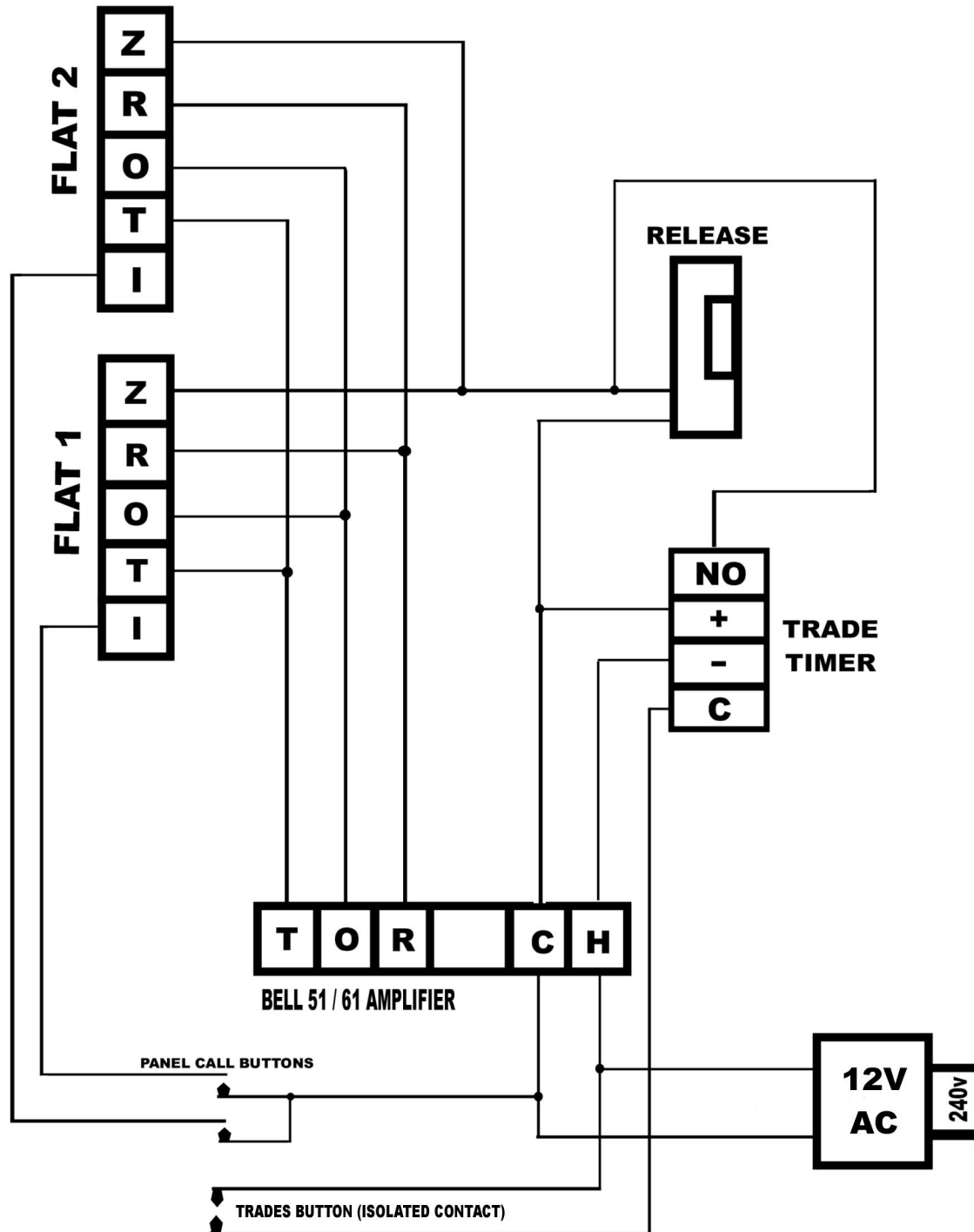


# BASIC 2 WAY SYTEM WITH TRADE

INTERCOMS R US LTD

www.intercomsrus.com 0208 301 1722 0780 388 2407



© Intercoms R Us Ltd 2013

# **BASIC 1 BELL SYSTEM WAY KIT INSTALLATION**

## **CABLE REQUIREMENTS :**

**USE 8 CORE CW1308 BT CABLE (WATCH OUT FOR FAKE CABLE, LOTS OUT THERE)**

**5 WIRES TO EACH TELEPHONE FROM THE FRONT DOOR PANEL (4 OF THESE ARE COMMON TO ALL TELEPHONES)**

**2 WIRES FROM THE LOCK RELEASE TO THE FRONT DOOR PANEL**

**2 WIRES FROM THE POWER SUPPLY TO THE FRONT DOOR PANEL**

## **INSTALLATION PROCEDURE**

- 1) FIRST INSTALL THE FRONT DOOR PANEL (DRILL FROM INSIDE TO OUTSIDE, SO THAT THE PANEL WILL COVER ANY BLOW OUT OF BRICKS ETC, DRILL A LARGE ENOUGH HOLE FOR ALL CABLES REQUIRED)**
- 2) FIT THE 12VAC TRANSFORMER IN A SUITABLE LOCATION**
- 3) FIT THE HANDSET IN REQUIRED LOCATION**
- 4) RUN ALL THE CABLES BACK TO THE FRONT DOOR PANEL AND CLIP NEATLY IN POSITION (CAREFULL ATTENTION IS REQUIRED ON STAIRS TO ENSURE CABLE WILL NOT COME LOOSE)**
- 5) FIT THE BELL 51/61 SPEECH AMPLIFIER IN POSITION WITHIN THE FRONT PANEL**
- 6) CONNECT THE 12V FROM THE TRANSFORMER TO "C & H" (NO POLARITY TO OBSERVE FOR THIS CONNECTION)**
- 7) CONNECT "R,O,T" AT THE FRONT PANEL AND AT THE HANDSET USING THE FOLLOWING COLOUR CODE "R" BLUE/WHI, "O" ORR/WHITE, "T" WHI/BLU, "P" GRN/WHI, "Z" BRO/WHI (spares are whi/orr, whi/bro, whi/grn)**
- 8) POWER SYSTEM ON, THE SPEECH WILL NOW OPERATE, YOU MAY WISH AT THIS TIME TO TRIM THE SPEECH IF REQUIRED, PLEASE NOTE THAT WITH BOTH VOLUMES TURNED "UP" YOU WILL GET WHISTLING (FEEDBACK) VOLUME CONTROL "A" ADJUSTS THE SPEECH OUT TO THE STREET AND VOLUME "B" ADJUSTS THE SPEECH INTO THE FLAT.**
- 9) NEXT STEP IS TO CONNECT THE "C" FROM THE SPEECH AMPLIFIER TO THE COMMON ON THE PUSHBUTTON ASSEMBLY AT THE FRONT PANEL AND ONE OF THE PUSH BUTON LINES TO "P" ON THE TELEPHONE, YOU WILL NOW BE ABLE TO CALL THE FLAT.**
- 10) FIT THE DOOR RELEASE IN POSITION (ALLOW A LITTLE PLAY ON THE DOOR AS THE RELEASE WILL NOT OPERATE IF FITTED TOO TIGHT).**
- 11) NOW CONNECT THE "C" ON THE SPEECH AMPLIFIER TO ONE SIDE OF THE ELECTRIC RELEASE, THE OTHER SIDE OF THE RELEASE GOES TO "Z" ON THE TELEPHONE. THE RELEASE WILL NOW OPERATE WHEN THE BUTTON IS PRESSED AT THE TELEPHONE.**

**YOU MAY NOW CONNECT ANY FURTHER TELEPHONES UP WITH THE CONFIDENCE THAT YOU NOW HAVE A WORKING SYSTEM.**

## **NOTES :**

- 1) MAKE CERTAIN THAT THE POWER IS ALWAYS OFF WHEN YOU ARE MAKING CONNECTIONS.**
- 2) IF POSSIBLE AVOID USING STRANDED ALARM CABLE. THE CABLE SHOULD BE STANDARD BT CW1308 CABLE**
- 3) IF A LOUD HUM IS HEARD ON THE SPEECH LOOK FOR A SHORT ON THE "T" LINE**
- 4) IF YOU CANNOT OBTAIN A SATISFACTORY LEVEL OF SPEECH ONCE THE WHOLE SYSTEM IS INSTALLED, REMEMBER THAT WITH TWO OR MORE HANDSETS OFF THE HOOK THE VOLUME WILL BE SIGNIFICANTLY AFFECTED, HOWEVER IF YOU SUSPECT FAULTY WIRING, FOLLOW THIS PROCEDURE :**
  - 1) CONNECT A SIX FOOT LENGTH OF CABLE TO ONE TELEPHONE USING " R,O,T " ONLY (THIS NOW BECOMES A TEST TELEPHONE)**
  - 2) DISCONNECT ALL " R,O,T " WIRES FROM THE SPEAKER UNIT AND THEN CONNECT THE TEST TELEPHONE, AT THIS POINT SPEECH WILL BE RE-ESTABLISHED WITH THE TEST TELEPHONE.**
  - 3) RECONNECT THE OTHER HANDSETS ON THE SYSTEM ONE AT A TIME (UNTIL THE SPEECH GIVES YOU PROBLEMS AGAIN), YOU WILL BE ABLE TO TRACE THE FAULTY HANDSET AT THIS POINT AND CLEAR THE FAULT**